

LEGEND

SF Silt Fence
 Wattle
 1120 Existing Contours
 1170 Proposed Contours
 Construction Entrance

30 0 30
 1 inch = 30 ft.

- GRADING & EROSION CONTROL BUILD NOTES**
- (CE - X) **CONSTRUCT STONE CONSTRUCTION ENTRANCE** - See Detail on Sheet C7.2. CE - 1 shall be removed immediately prior to the paving of M Street. CE - 2 & CE - 3 shall be constructed after M Street has been paved.
 - (SF - X) **CONSTRUCT SILT FENCE** - See Detail on Sheet C7.2. SF - 5 and 6 shall be installed after M Street has been constructed.
 - (IF - X) **CONSTRUCT INLET FILTER** - Install 9" Diameter Wattle Type Filtered or Approved Equal per manufacturer's recommendations
 - (MS 1) **PROPOSED MATERIAL STORAGE AREA** - Alternate Location Shall be Approved by the INSPECTOR
 - (WS 1) **PROPOSED WASTE STORAGE AREA** - Alternate Location Shall be Approved by the INSPECTOR
 - (WO 1) **INSTALL CONCRETE WASHOUT FACILITY** - See Detail on Sheet C7.2. Alternate Product or Location Shall be Approved by the INSPECTOR

CARLSON WEST POVONDR ARCHITECTS

PROFESSIONAL CIVIL ENGINEER
 BOUGLAC
 WALTER
 E-7921
 11/27/20
 STATE OF NEBRASKA

REVISION SCHEDULE	DATE

NDEE Construction Stormwater Discharge Permit Number: CSW-202004897

STORM WATER POLLUTION PREVENTION PLAN
TEKAMAH HERMAN SCHOOLS
ADDITION & RENOVATION
 112 N 13TH STREET - TEKAMAH, NE 68061

08/13/2020
C7.1
 20127

ne1call.com
Nebraska 811
 know what's below.
 Dial: 811 Call before you dig.

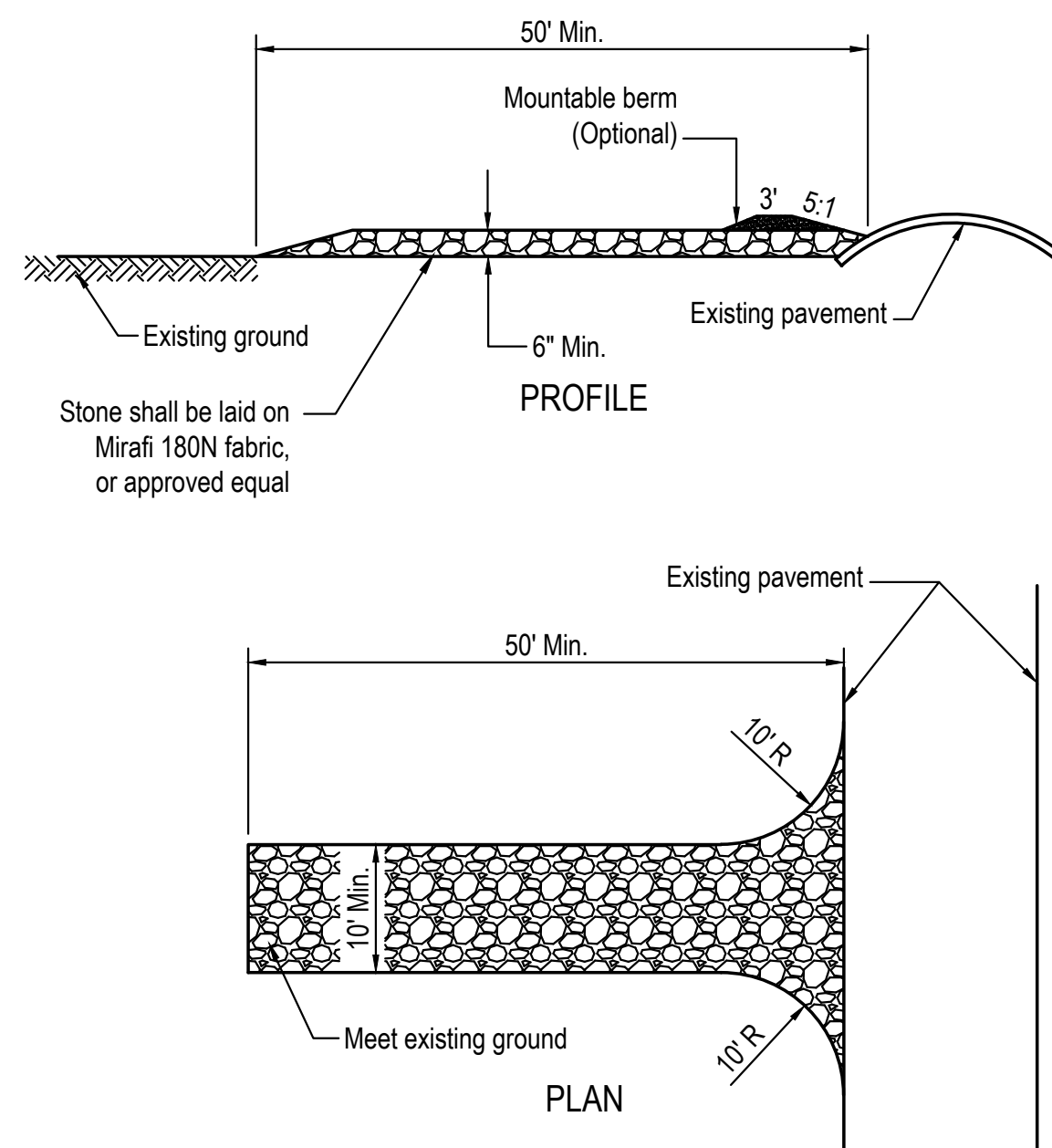
e+a
E & A CONSULTING GROUP, INC.
 Engineering Answers

E & A CONSULTING GROUP, INC.
 Engineering • Planning • Environmental & Field Services

10909 Mill Valley Road, Suite 100 • Omaha, NE 68154
 Phone: 402.895.4700 • Fax: 402.895.3599
 www.eaacg.com P2020.094.002

STORM WATER POLLUTION PREVENTION PLAN GENERAL NOTES

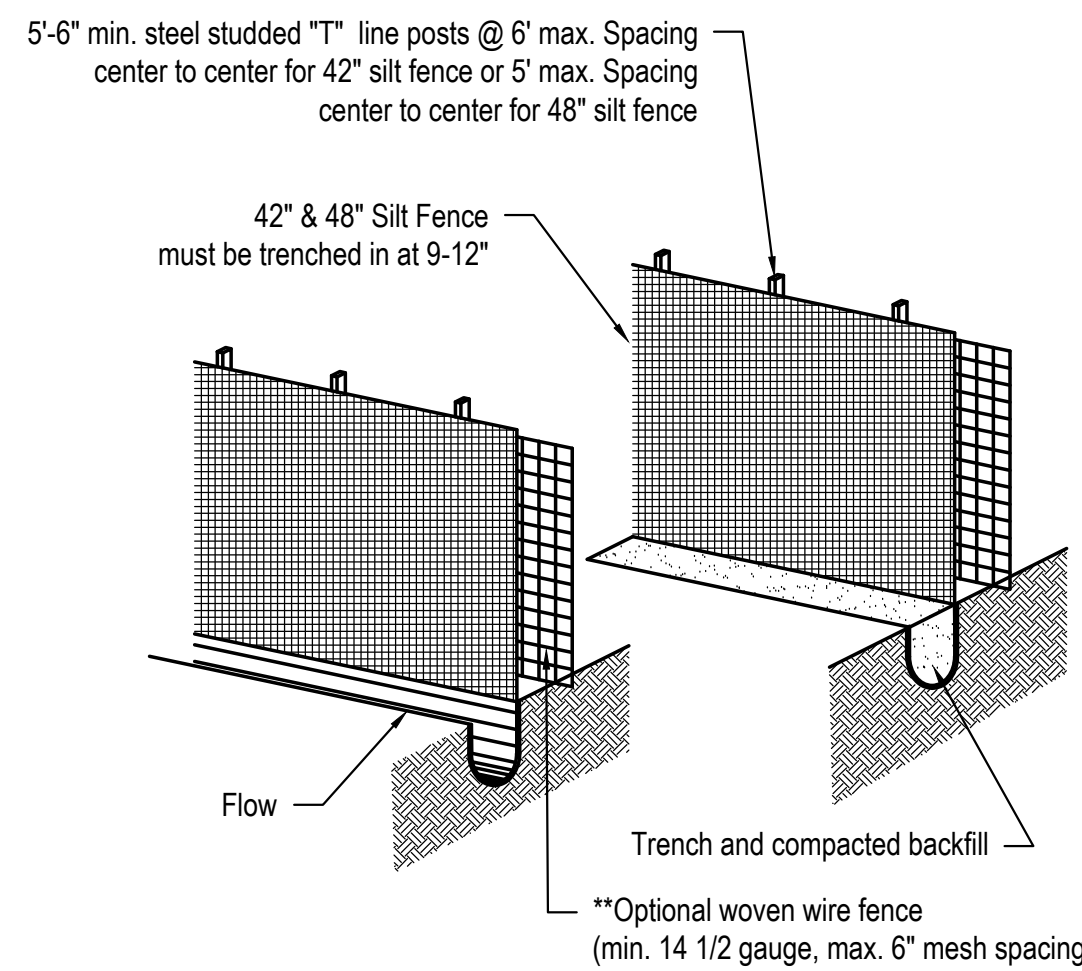
- PROJECT PROCEDURES AND MATERIALS SHALL CONFORM TO THE FOLLOWING PUBLICATION AND ANY ADDITIONS THERETO: (A) OMAHA REGIONAL STORMWATER DESIGN MANUAL AND THE SUPPLEMENTAL BMP GUIDE. THE AFOREMENTIONED PUBLICATIONS CAN BE FOUND AT [HTTP://WWW.PCWPEROSIONCONTROL.ORG](http://www.pcwperosioncontrol.org).
- OPERATORS/CONTRACTORS SHALL COMPLY WITH NOISE AND DUST CONTROL ORDINANCES.
- OPERATORS/CONTRACTORS SHALL LOCATE EXISTING UTILITIES PRIOR TO THE START OF WORK. (ONE CALL 344-3565).
- BARRICADES SHALL CONFORM TO OMAHA PUBLIC WORKS "BARRICADING STANDARDS, SPECIFICATIONS, METHODS & MATERIALS", AND/OR THE "MANUAL ON UNIFORM TRAFFIC CONTROL DEVICES".
- OPERATORS/CONTRACTORS SHALL BE RESPONSIBLE FOR COMPLIANCE WITH OSHA REGULATIONS.
- OPERATORS/CONTRACTORS SHALL CONFIRM WITH THE APPLICANT THAT GOVERNMENTAL APPROVALS HAVE BEEN RECEIVED PRIOR TO THE START OF WORK.
- THE APPLICANT AND INSPECTOR SHALL COMPLY WITH GOVERNMENT REGULATIONS TO MINIMIZE THE POTENTIAL FOR EROSION AND POLLUTION.
- OPERATORS/CONTRACTORS SHALL PERFORM CONSTRUCTION ACTIVITIES AS DIRECTED BY THE APPLICANT, INSPECTOR, AND GOVERNMENT REGULATORS TO MINIMIZE THE POTENTIAL FOR EROSION AND POLLUTION.
- EACH OPERATOR/CONTRACTOR SHALL MONITOR SILT FENCING AND OTHER BEST MANAGEMENT PRACTICES (BMPs), WITHIN THEIR AREAS OF RESPONSIBILITY, AND INSTALL ADDITIONAL BMPs AS NECESSARY AND AS DIRECTED BY THE INSPECTOR.
- EACH OPERATOR/CONTRACTOR SHALL PERIODICALLY REMOVE ACCUMULATED SEDIMENT FROM TEMPORARY SEDIMENT TRAPS, TEMPORARY SEDIMENT BASINS, BEHIND SILT FENCES, AND OTHER EROSION CONTROL MEASURES THAT STORE SEDIMENT, WITHIN THEIR AREAS OF RESPONSIBILITY, IF NECESSARY AND AS DIRECTED BY THE INSPECTOR.
- EACH OPERATOR/CONTRACTOR SHALL BUILD STABILIZED CONSTRUCTION ENTRANCES, WITHIN THEIR AREAS OF RESPONSIBILITY AND AS DEFINED WITHIN THE SWPPP. EACH OPERATOR/CONTRACTOR SHALL MONITOR AND MAINTAIN STABILIZED CONSTRUCTION ENTRANCES WITHIN THEIR AREAS OF RESPONSIBILITY AS NEEDED OR AS DIRECTED BY THE INSPECTOR. OPERATORS/CONTRACTORS SHALL NOT USE ANY OTHER ACCESS TO THE SITE OR ALLOW OTHERS TO USE ALTERNATE ACCESS POINTS.
- EACH OPERATOR/CONTRACTOR SHALL MAINTAIN AND PERFORM PREVENTATIVE MAINTENANCE ON EACH BEST MANAGEMENT PRACTICE (BMP), WITHIN THEIR AREAS OF RESPONSIBILITY, TO ENSURE THEIR FUNCTION. THE INSPECTOR SHALL ENSURE PREVENTATIVE MAINTENANCE IS BEING PERFORMED.
- BMPs SHALL BE KEPT IN WORKING ORDER. EACH OPERATOR/CONTRACTOR SHALL REPAIR ANY DEFECTS OR DAMAGES, WITHIN THEIR AREAS OF RESPONSIBILITY, AT OR BEFORE THE END OF EACH WORKING DAY OR AS DIRECTED BY THE INSPECTOR.
- BMPs MAY NOT BE REMOVED WITHOUT INSPECTOR AND APPLICABLE GOVERNMENTAL APPROVAL.
- EACH OPERATOR/CONTRACTOR SHALL BE RESPONSIBLE FOR ADHERING TO BMPs WITHIN THEIR AREAS OF RESPONSIBILITY.
- IN THE EVENT OF A RELEASE OF OIL OR HAZARDOUS SUBSTANCE, OPERATORS/CONTRACTORS SHALL COMPLY WITH THE REQUIREMENTS OF THE NEBRASKA DEPARTMENT OF ENVIRONMENTAL QUALITY FOR NOTIFICATION, CONTAINMENT, INVESTIGATION, REMEDIAL ACTION AND DISPOSAL.
- THE APPLICANT, INSPECTOR, AND CONTRACTORS/OPERATORS SHALL ENSURE TEMPORARY DIVERSION DIKES AND TEMPORARY FILL DIVERSIONS ARE CONSTRUCTED AS SHOWN WITHIN THE SWPPP AND AS NECESSARY TO PROPERLY CONTROL POLLUTANT DISCHARGE. TEMPORARY DIVERSION DIKES AND TEMPORARY FILL DIVERSIONS SHALL BE INSTALLED AT THE END OF EACH WORKING DAY, PRIOR TO ALL RAIN EVENTS, AND AS DIRECTED BY THE INSPECTOR.
- THE APPLICANT, INSPECTOR, AND/OR OPERATORS/CONTRACTORS SHALL ALLOW GOVERNMENT REGULATORS ACCESS TO THE SITE FOR INSPECTIONS AT ANY TIME, AT THE IMPLEMENTING AGENCY'S DISCRETION.
- THE APPLICANT, INSPECTOR, AND CONTRACTORS/OPERATORS MUST INITIATE STABILIZATION MEASURES, SUCH AS TEMPORARY SEEDING, PERMANENT SEEDING, AND/OR MULCHING, AS SOON AS POSSIBLE ON PORTIONS OF THE SITE WHERE CONSTRUCTION ACTIVITIES HAVE TEMPORARILY OR PERMANENTLY CEASED, BUT IN NO CASE MORE THAN 14 DAYS AFTER CONSTRUCTION ACTIVITY ON THAT PORTION OF THE SITE WHERE WORK HAS CEASED. TEMPORARY SEEDING (9.5.20), PERMANENT SEEDING (9.5.21), AND MULCHING (9.5.23) BMPs PRESENTED WITHIN THE OMAHA REGIONAL STORMWATER DESIGN MANUAL SHALL BE ADHERED TO AT ALL TIMES. THIS PUBLICATION CAN BE FOUND AT [HTTP://WWW.PCWPEROSIONCONTROL.ORG](http://www.pcwperosioncontrol.org).
- FOR DUST CONTROL, THE APPLICANT, INSPECTOR, AND CONTRACTORS/OPERATORS MAY USE THE FOLLOWING MEASURES, SINGULARLY OR IN COMBINATION: ESTABLISH TEMPORARY SEEDING, ESTABLISH PERMANENT SEEDING, MULCH IN AREAS SUBJECT TO LITTLE OR NO CONSTRUCTION TRAFFIC, IRRIGATE STRIPPED AREAS AND/OR HAUL ROADS, REDUCE VEHICULAR SPEED ON HAUL ROADS, OR OTHER OPTIONS AS DIRECTED BY THE INSPECTOR. FURTHERMORE, THE DUST CONTROL (9.5.17) BMP PRESENTED WITHIN THE OMAHA REGIONAL STORMWATER DESIGN MANUAL SHALL BE ADHERED TO AT ALL TIMES.
- THE APPLICANT, INSPECTOR, AND CONTRACTORS/OPERATORS SHALL ENSURE SEDIMENT TRANSPORTED ONTO PUBLIC STREETS IS REMOVED AS NEEDED, PRIOR TO RAIN EVENTS AND, AT A MINIMUM, AT THE END OF EACH WORKING DAY. SEDIMENT SHALL BE SHOVELED AND/OR SWEEPED FROM THE STREET AND DISPOSED OF IN A MANNER THAT PREVENTS STORMWATER CONTAMINATION. FURTHERMORE, THE STREET CLEANING/SWEEPING (SM-4) BMP PRESENTED WITHIN THE SUPPLEMENTAL BMP GUIDE SHALL BE ADHERED TO AT ALL TIMES.
- THE APPLICANT, INSPECTOR, AND CONTRACTORS/OPERATORS SHALL ADHERE TO ALL GOOD HOUSEKEEPING BMPs PRESENTED WITHIN THE SUPPLEMENTAL BMP GUIDE. GOOD HOUSEKEEPING BMPs FOCUS ON KEEPING THE WORK SITE CLEAN AND ORDERLY WHILE HANDLING MATERIALS AND WASTE IN A MANNER THAT ELIMINATES THE POTENTIAL FOR POLLUTANT RUNOFF. GOOD HOUSEKEEPING BMPs SUCH AS SANITARY WASTE MANAGEMENT (SM-1), SOLID WASTE MANAGEMENT (SM-2), MATERIAL DELIVERY & STORAGE (SM-3), STREET CLEANING/SWEEPING (SM-4), AND VEHICLE & EQUIPMENT FUELING (SM-5) SHALL BE ADDRESSED WHEN APPLICABLE.
- TO BETTER INFORM ALL CONCERNED PARTIES ABOUT THE EXISTENCE OF THE SWPPP, THE APPLICANT, INSPECTOR, AND CONTRACTORS/OPERATORS SHALL ENSURE AN EASILY VISIBLE AND LEGIBLE SIGN BE PROMINENTLY POSTED AT CONSPICUOUS LOCATIONS NEAR SITE ENTRY POINTS. SIGNS MUST BE IN CONFORMANCE WITH THE SWPPP NOTIFICATION SIGN (SM-6) PRESENTED WITHIN THE SUPPLEMENTAL BMP GUIDE.
- THE SWPPP DOCUMENTS (E.G., NDEQ-NPDES, SWPPP-SM, SWPPP-N, ETC.) ARE ESSENTIAL AND A REQUIREMENT IN ONE PART IS BINDING AS THOUGH OCCURRING IN ALL. THE DOCUMENTS DESCRIBE AND PROVIDE THE COMPLETE SWPPP. THE APPLICANT, INSPECTOR, AND/OR CONTRACTORS/OPERATORS MAY NOT TAKE ADVANTAGE OF ANY SWPPP ERRORS OR OMISSIONS. THE INSPECTOR SHALL NOTIFY THE APPLICANT, DESIGNER, AND CONTRACTORS/OPERATORS PROMPTLY OF ANY OMISSIONS OR ERRORS WITHIN ONE BUSINESS DAY OF DISCOVERY. THE APPLICANT SHALL INSTRUCT THE DESIGNER TO MAKE ANY CORRECTIONS NECESSARY TO FULFILL THE OVERALL INTENT OF THE SWPPP DOCUMENTS (E.G., GRADING PERMIT MODIFICATION FORM). IN THE CASE OF A DISCREPANCY BETWEEN PARTS OF THE SWPPP DOCUMENTS, THE MOST STRINGENT REQUIREMENT SHALL RULE.



STABILIZED CONSTRUCTION ENTRANCE
NOT TO SCALE

NOTES

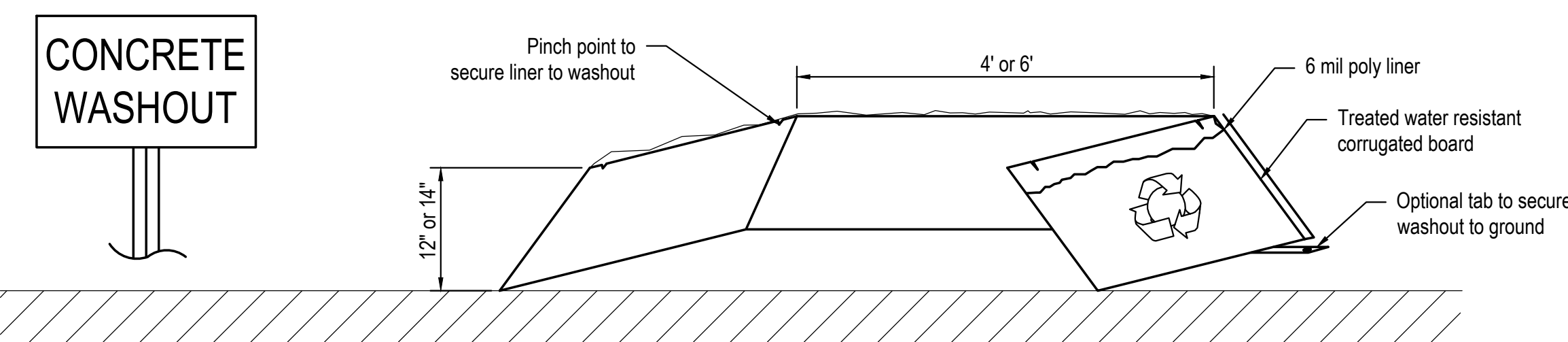
- The stone size shall be 2" diameter or a reclaimed broken concrete equivalent.
- Contractor to construct the road to the length required but not less than 50'.
- The thickness of the stone shall be 6".
- The width of the construction entrance shall be 10' minimum, but in no case less than the full width at points where ingress and egress occurs.
- All surface runoff flowing or diverted towards the construction entrance shall be piped across the entrance. If piping is impractical, a mountable berm with SH-1V will be permitted.
- The entrance shall be maintained in a condition which will prevent tracking or flowing of sediment onto public rights-of-way. This may require periodic top dressing with additional stone as conditions demand and repair and/or cleanout of any measures used to trap sediment. All sediment spilled, dropped, tracked, or washed onto public rights-of-way must be removed immediately.
- Wheels shall be cleaned to remove sediment prior to entrance onto public right-of-way. When washing is required, it shall be done on an area stabilized with stone which drains into an approved sediment trapping device.
- Periodic inspection and needed maintenance shall be provided after each rain.



SILT FENCE
NOT TO SCALE

NOTES:

- Acceptable silt fence specifications- AOS (#20 - 50 Sieve), Water Flow Rate (50 gpm/ sq. ft. - 125 gpm/ sq. ft), Tensile Strength (Grab) - (Min. 120 Warp or greater and Elongation (5-25%).
- On each new run of silt fence spray paint the beginning of the run with D-00 and spray paint the end with the date of installation and LF of the run.
- Silt fence should be securely fastened to each steel support post or to woven wire which is in turn attached to the steel fence posts. A minimum of 3 ties are required for each post. To be located in the top 12" of the silt fence.
- Steel posts which support the silt fence shall be installed on a slight angle toward the anticipated runoff source. (Incline all posts 20" Max. from vertical, toward flow)
- Silt fence shall be trenched in with a silt fence plow so that the downslope face of the trench is flat and perpendicular to the line of flow.
- Silt fence shall be removed when it has served its usefulness so as not to block or impede storm flow or drainage.
- Sediment trapped by this practice shall be uniformly distributed on the source area prior to topsoiling.



CONCRETE WASHOUT
NOT TO SCALE

NOTES:

- The concrete washout area shall be installed prior to any concrete placement on this project. Install washout area on a level surface. Use Disposable Concrete Washout or approved equal conforming to Section 9.6.8 of the Omaha Regional Stormwater Design Manual.
- Signs shall be placed as necessary to clearly indicate the location of the concrete washout.
- The concrete washout area will be replaced as necessary to maintain capacity for waste concrete and other liquid waste.
- Washout residue shall be removed from the site and disposed of at an approved waste site.
- Do not mix excess amounts of fresh concrete or cement on-site.
- Do not wash out concrete trucks into storm drains, open ditches, streets, or streams.
- Do not dump excess concrete in non-designated dumping areas.
- Locate washout area at least 50' (15 meters) from storm drains, open ditches, or waterbodies.
- Wash out wastes into the Outpack Washout as shown where the concrete can set, be broken up, and then disposed of properly.



E & A CONSULTING GROUP, INC.
Engineering • Planning • Environmental & Field Services

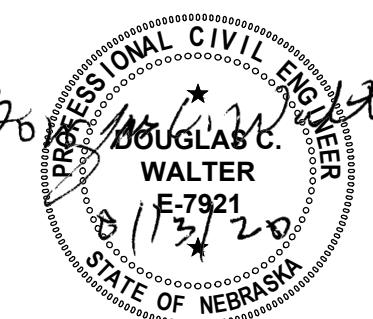
10909 Mill Valley Road, Suite 100 • Omaha, NE 68154
Phone: 402.895.4700 • Fax: 402.895.3599
www.eacg.com

NDEE Construction Stormwater Discharge Permit Number: CSW-202004897

STORM WATER POLLUTION PREVENTION PLAN NOTES AND DETAILS
**TEKAMAH HERMAN SCHOOLS
ADDITION & RENOVATION**
112 N 13TH STREET - TEKAMAH, NE 68061

08/13/2020

C7.2
20127



REVISION SCHEDULE	DATE

P2020.094.002